

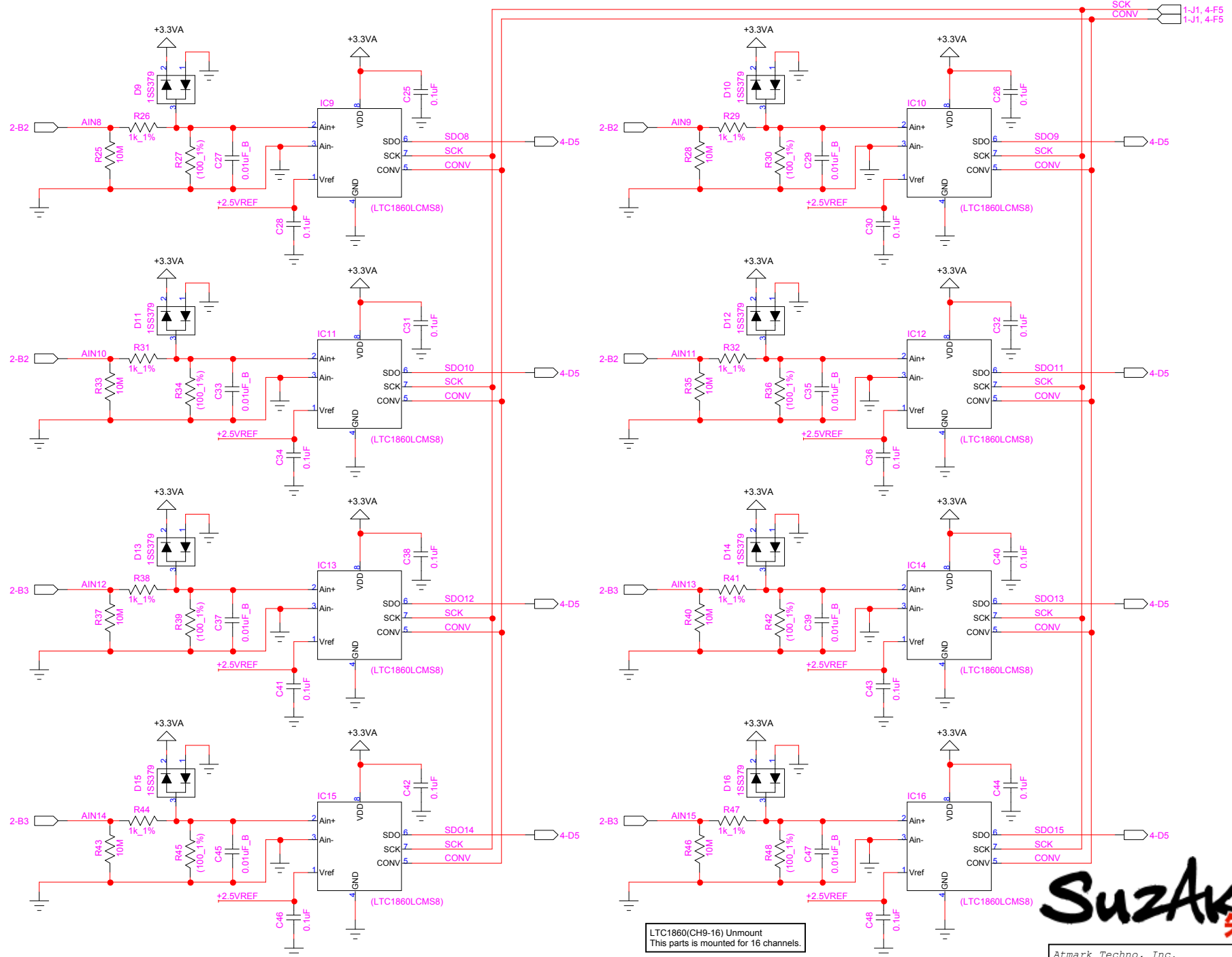
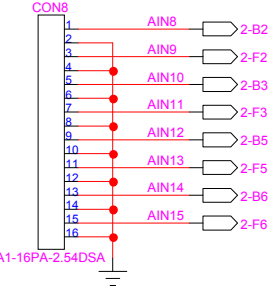
2-B8, 3-K5 +2.5VREF

ADC16bit type uses LTC1864LCMS8.



Atmark Techno, Inc.	
Name	:SUZAKU AD Board SID00-U00
P/N	: At-SEAD0801A [Rev.D]
Page	: 1/4
Title	:
Date	: 2008/010/03

Analog CH9-16
0-2.5V



1-B8, 3-K5 +2.5VREF

LTC1860(CH9-16) Unmount
This parts is mounted for 16 channels.

ADC16bit type uses LTC1864L (CMS8).



Atmark Techno, Inc.	
Name	:SUZAKU AD Board SID00-U00
P/N	: At-SZAD0801A [Rev.D]
Page	: 2/4
Title	:
Date	: 2008/010/03

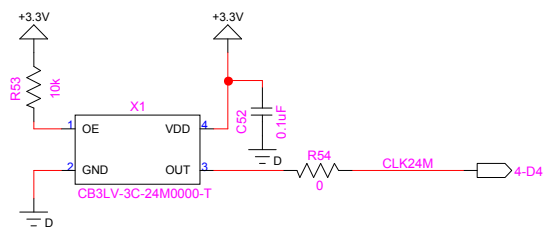
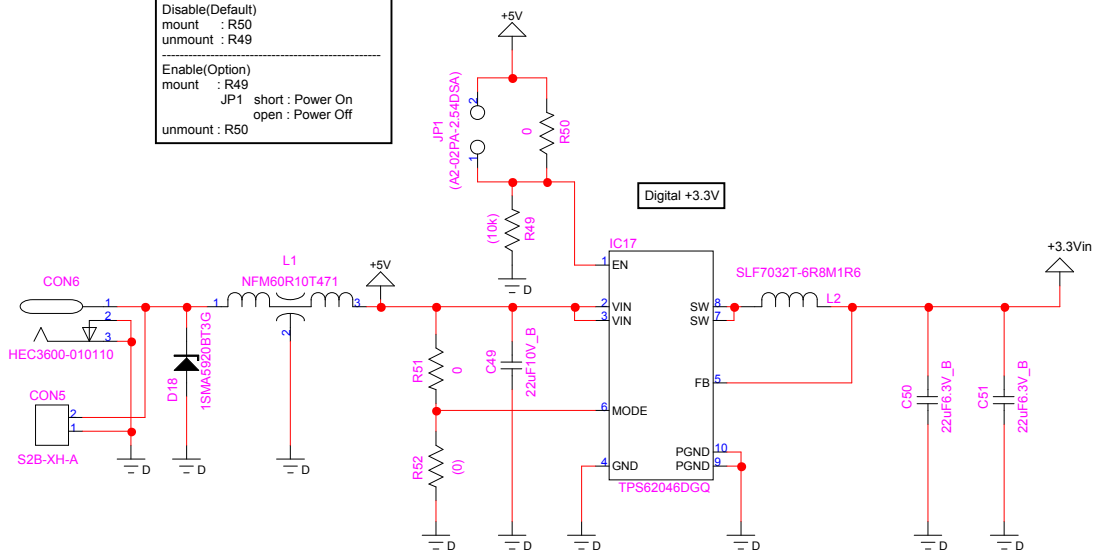
External Power On/Off Control
 =====
 Disable(Default)
 mount : R50
 unmount : R49

 Enable(Optional)
 mount : R49
 JP1 short : Power On
 open : Power Off
 unmount : R50

Power +5V

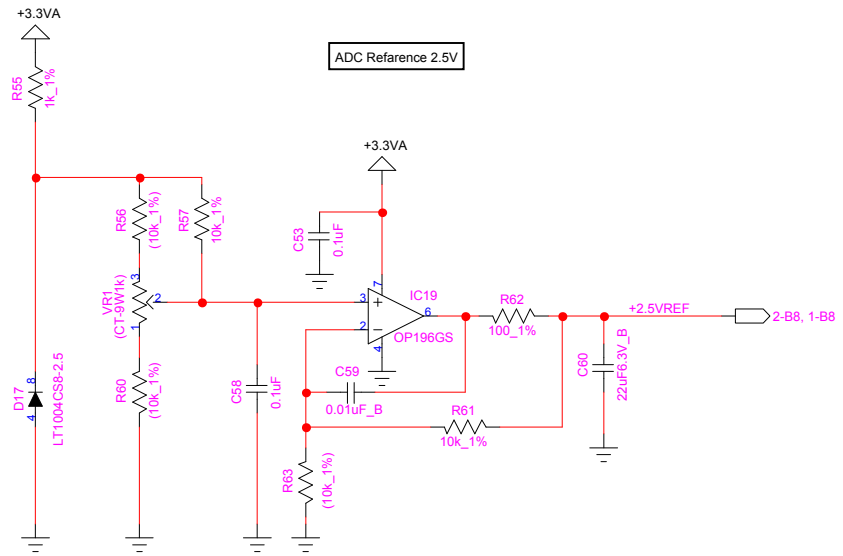
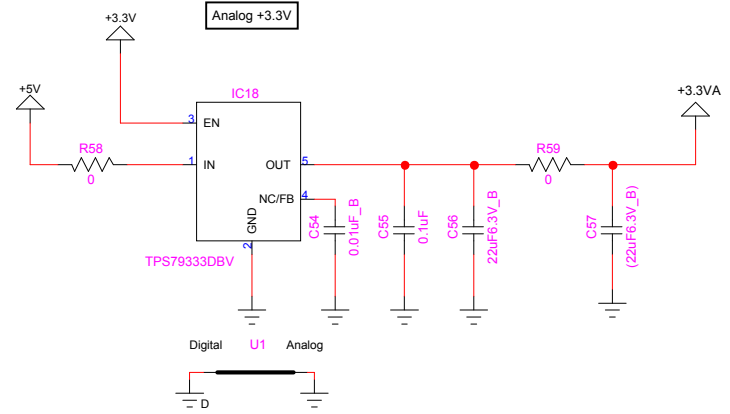
Digital +3.3V

Sampling Clock 24MHz

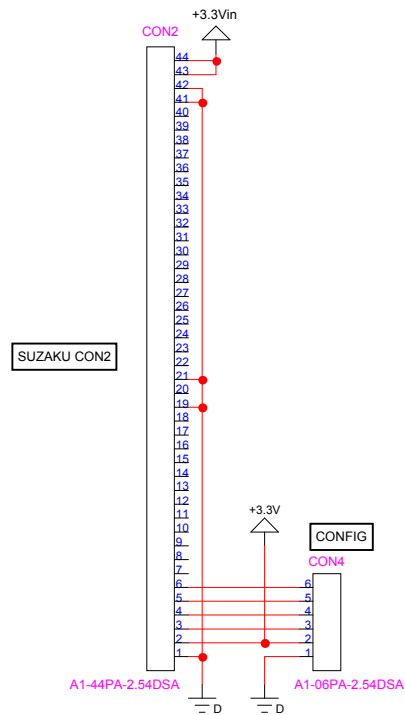
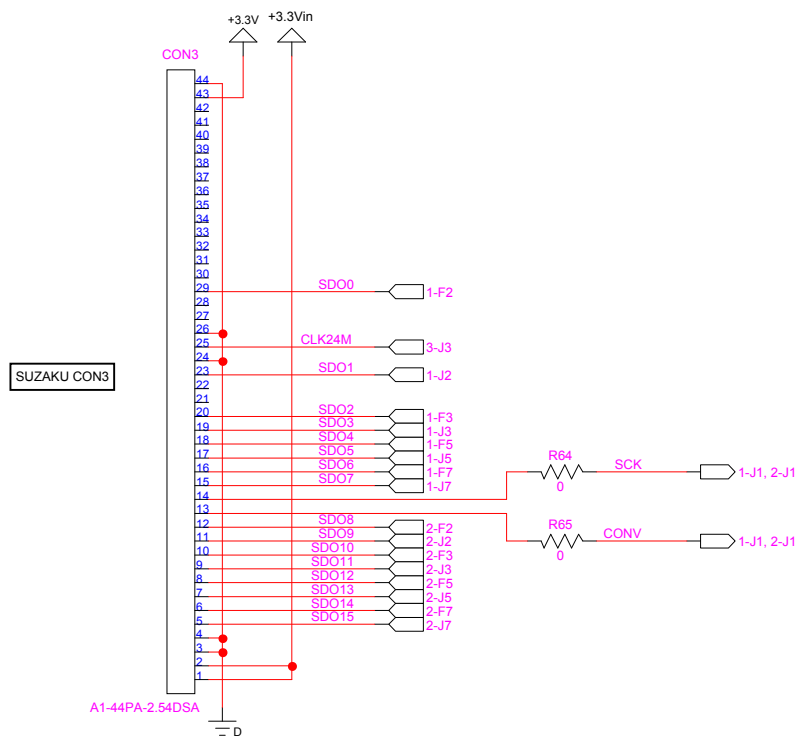


Analog +3.3V

ADC Reference 2.5V



Atmark Techno, Inc.
 Name : SUZAKU AD Board SID00-000
 P/N : At-SZAD0801A [Rev.D]
 Page : 3/4
 Title :
 Date : 2008/01/03



SUZAKU
朱雀

Atmark Techno, Inc.
Name :SUZAKU AD Board SID00-U00
P/N : At-SZAD0801A [Rev.D]
Page : 4/4
Title :
Date : 2008/010/03